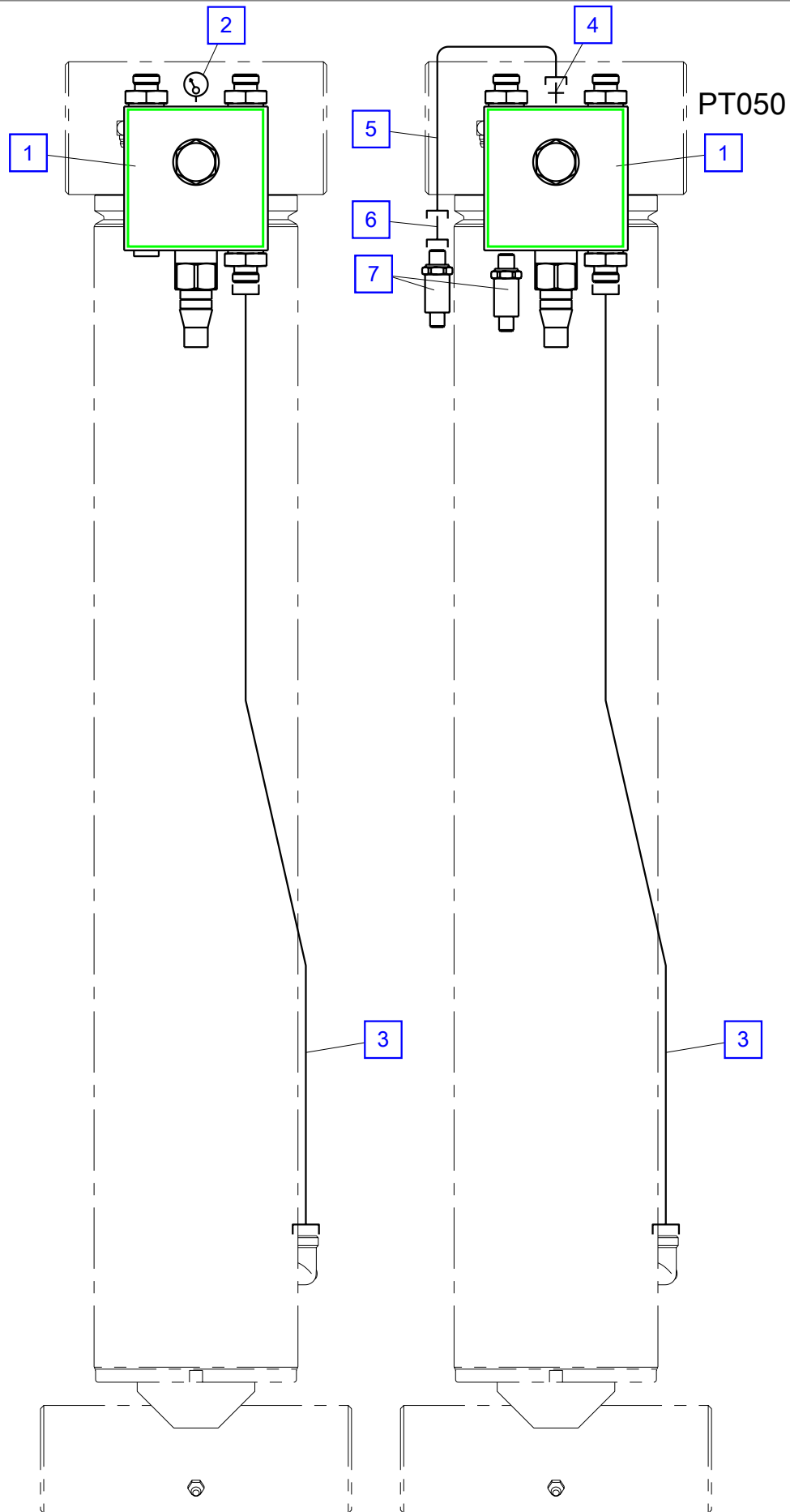
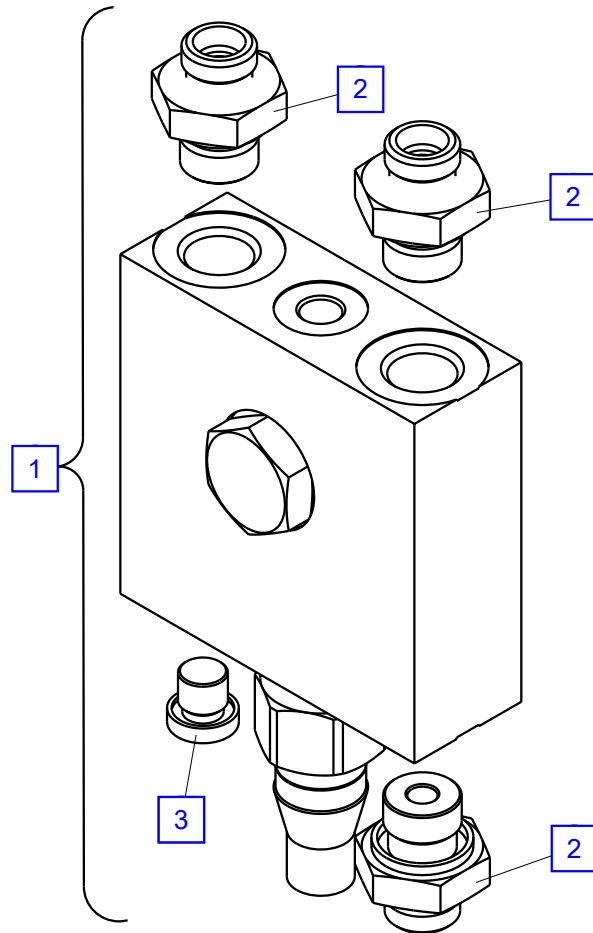


Piping - lifting cylinder

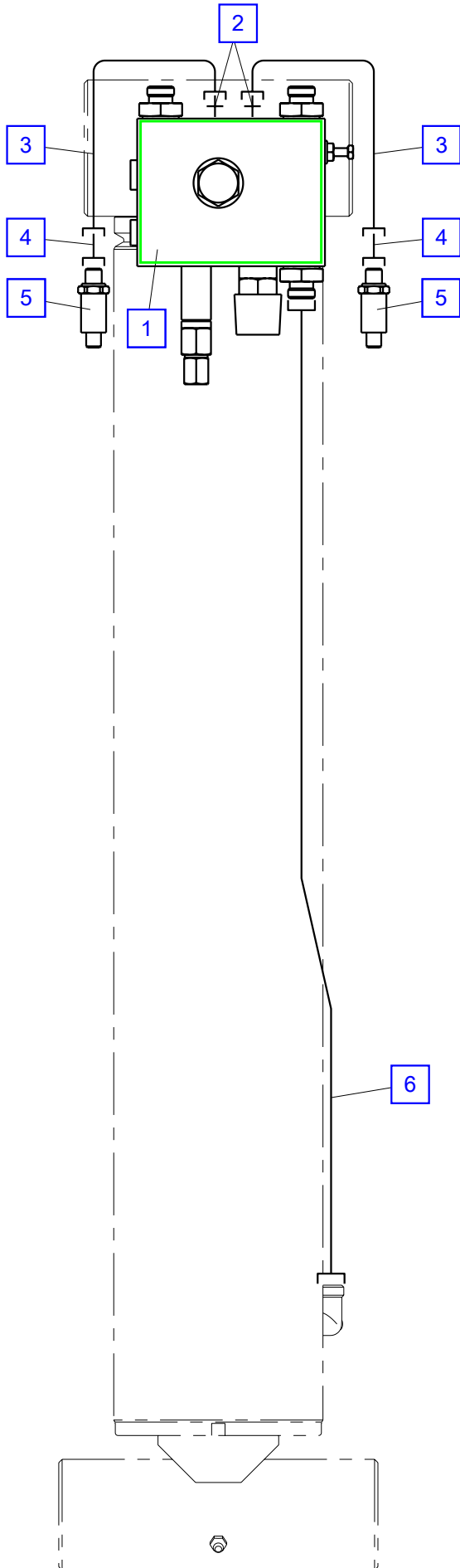


No.	Spare part	Qty.	Description	Dimension
1	UV524-370	1	Load holding valve see page 0400.03001-A	
1	UV524-350	1	Load holding valve without overload protection	
2	EA 716	1	Dial gauge connection	EMA3 R1/4"
3	HLR13572	1	Pipe	D 12
4	EA 089	1	Fitting	GE 8 S R1/4"
5	HLR10891	1	Pipe	D 8
6	EA1264	1	Fitting	GAI 8 S 1/4"
7	EEA4164	2	Pressure transducer	12V 600 bar
7	EEA4165	2	Pressure transducer	24V 600bar

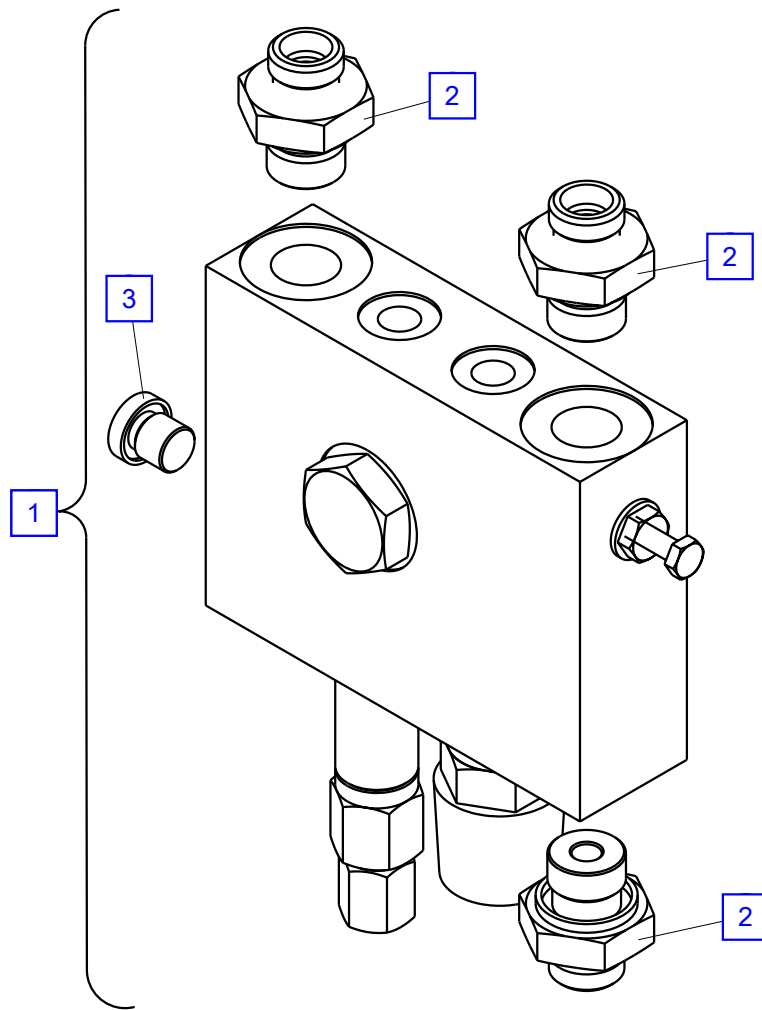


No.	Spare part	Qty.	Description	Dimension
1	UV524-370	1	Load holding valve	
2	EA 183	3	Fitting	GE 12S R1/2"ED
3	EA 236	1	Locking screw	VSTI R 1/4"

Piping - lifting cylinder FFST



No.	Spare part	Qty.	Description	Dimension
1	UV502-370	1	Load holding valve see page 0400.03101-A for PK16001,PK16001-K	
1	UV502-390	1	Load holding valve see page 0400.03101-A for PK18001-EH	
2	EA 089	2	Fitting	GE 8 S R1/4"
3	HLR10891	2	Pipe	D 8
4	EA1264	2	Fitting	GAI 8 S 1/4"
5	EEA4164	2	Pressure transducer	12V 600 bar
5	EEA4165	2	Pressure transducer	24V 600bar
6	HLR13573	1	Pipe	D 12



No.	Spare part	Qty.	Description	Dimension
1	UV502-370	1	Load holding valve for PK16001,PK16001-K	
1	UV502-390	1	Load holding valve for PK18001-EH	
2	EA 183	3	Fitting	GE 12S R1/2"ED
3	EA 236	1	Locking screw	VSTI R 1/4"